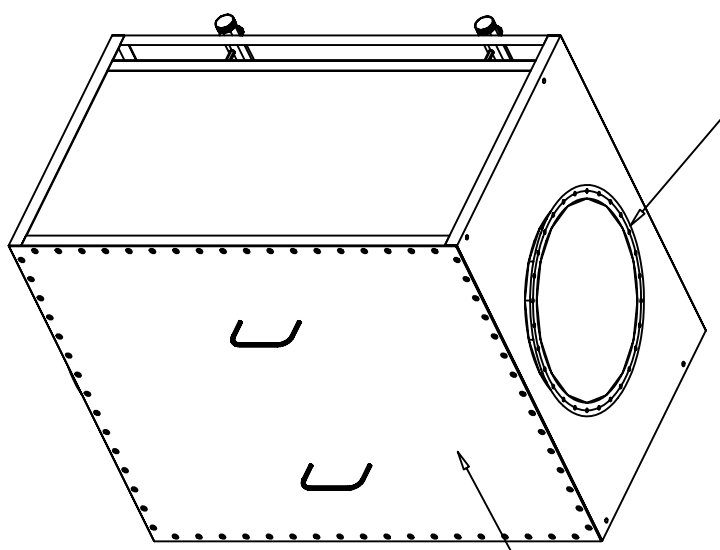
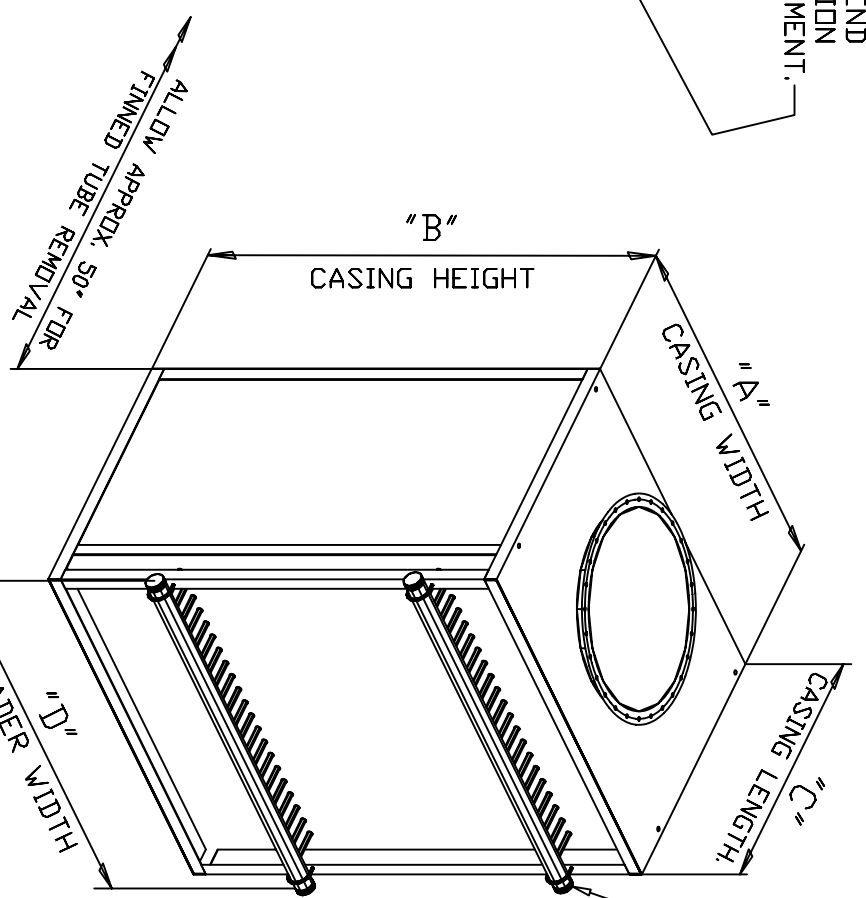


GAS FLANGE TO SUIT
STACK SIZE. TYP. TOP
AND BOTTOM.

REMOVABLE REAR END
DOOR FOR INSPECTION
AND TUBE REPLACEMENT.



REAR ISOMETRIC VIEW



FRONT ISOMETRIC VIEW

DIMENSION TABLE

MODEL	"A"	"B"	"C"	"D"	WEIGHT
HSS-6	20 3/4"	76 1/4"	44"	29 3/4"	1,500#
HSS-7	23 1/2"	76 1/4"	44"	32 1/2"	1,750#
HSS-8	26 1/4"	76 1/4"	44"	35 1/4"	2,000#
HSS-9	29"	76 1/4"	44"	38"	2,250#
HSS-10	31 3/4"	76 1/4"	44"	40 3/4"	2,500#
HSS-11	34 1/2"	76 1/4"	44"	43 1/2"	2,750#
HSS-12	37 1/4"	76 1/4"	44"	46 1/4"	3,000#
HSS-13	40"	76 1/4"	44"	49"	3,250#
HSS-14	42 3/4"	76 1/4"	44"	51 3/4"	3,500#
HSS-15	45 1/2"	76 1/4"	44"	54 1/2"	3,750#
HSS-16	48 1/4"	76 1/4"	44"	57 1/4"	4,000#
HSS-17	51"	76 1/4"	44"	60"	4,250#
HSS-18	53 3/4"	76 1/4"	44"	62 3/4"	4,500#

DIMENSION TABLE

MODEL	"A"	"B"	"C"	"D"	WEIGHT
HSS-19	56 1/2"	76 1/4"	44"	65 1/2"	4,750#
HSS-20	59 1/4"	76 1/4"	44"	68 1/4"	5,000#
HSS-21	62"	76 1/4"	44"	71"	5,250#
HSS-22	64 3/4"	76 1/4"	44"	73 3/4"	5,500#
HSS-23	67 1/2"	76 1/4"	44"	76 1/2"	5,750#
HSS-24	70 1/4"	76 1/4"	44"	79 1/4"	6,000#



BOILERROOM EQUIPMENT, INC.

SUPER HEATSPONGE

GENERAL ARRANGEMENT

(STANDARD MODELS)

DRAWN BY:	DATE COMPLETE:	DRAWING NUMBER:	REV:
AJH	12/26/06	D-HSS-SUPER-GA	0
SCALE:	JOB NUMBER:		
NTS	STD		