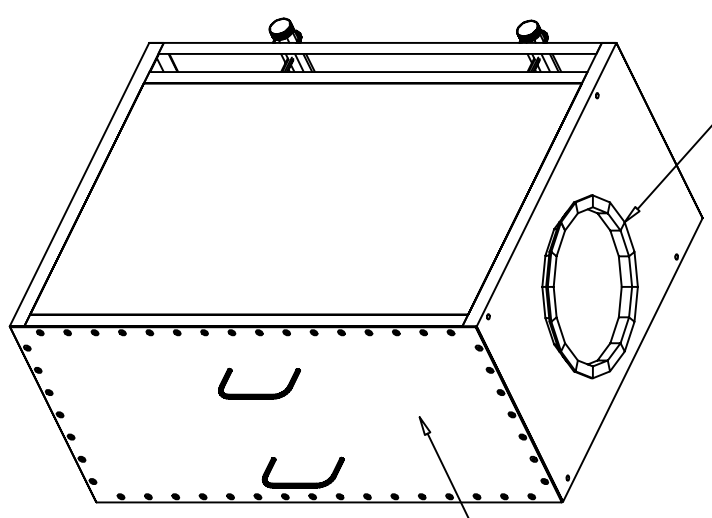
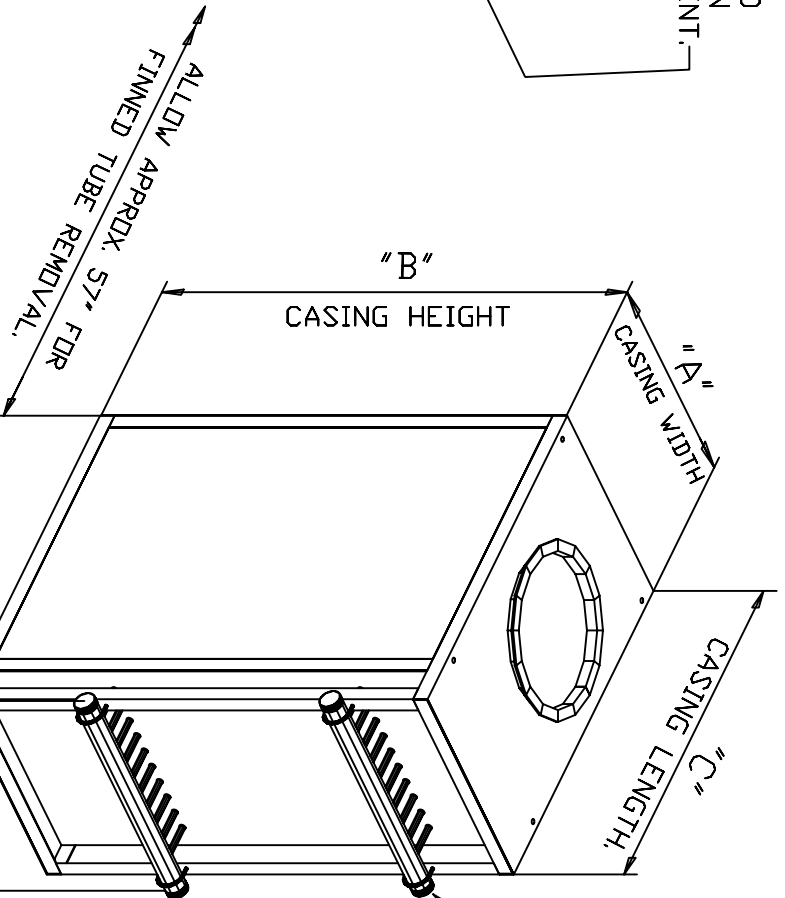


GAS FLANGE TO SUIT
STACK SIZE, TYP. TOP
AND BOTTOM.

REMOVABLE REAR END
DOOR FOR INSPECTION
AND TUBE REPLACEMENT.



REAR ISOMETRIC VIEW



2 1/2" NPT,
MANIFOLD,
TYP. 2 PLCS.

FRONT ISOMETRIC VIEW

DIMENSION TABLE

MODEL	"A"	"B"	"C"	"D"	WEIGHT
HSC-5	18'	68 1/4'	51'	27'	1,250#
HSC-6	20 3/4'	68 1/4'	51'	29 3/4'	1,500#
HSC-7	23 1/2'	68 1/4'	51'	32 1/2'	1,750#
HSC-8	26 1/4'	68 1/4'	51'	35 1/4'	2,000#
HSC-9	29'	68 1/4'	51'	38'	2,250#
HSC-10	31 3/4'	68 1/4'	51'	40 3/4'	2,500#
HSC-11	34 1/2'	68 1/4'	51'	43 1/2'	2,750#
HSC-12	37 1/4'	68 1/4'	51'	46 1/4'	3,000#
HSC-13	40'	68 1/4'	51'	49'	3,250#
HSC-14	42 3/4'	68 1/4'	51'	51 3/4'	3,500#
HSC-15	45 1/2'	68 1/4'	51'	54 1/2'	3,750#
HSC-16	48 1/4'	68 1/4'	51'	57 1/4'	4,000#
HSC-17	51'	68 1/4'	51'	60'	4,250#

DIMENSION TABLE

MODEL	"A"	"B"	"C"	"D"	WEIGHT
HSC-18	53 3/4'	68 1/4'	51'	62 3/4'	4,500#
HSC-19	56 1/2'	68 1/4'	51'	65 1/2'	4,750#
HSC-20	59 1/4'	68 1/4'	51'	68 1/4'	5,000#
HSC-21	62'	68 1/4'	51'	71'	5,250#
HSC-22	64 3/4'	68 1/4'	51'	73 3/4'	5,500#
HSC-23	67 1/2'	68 1/4'	51'	76 1/2'	5,750#
HSC-24	70 1/4'	68 1/4'	51'	79 1/4'	6,000#



BOILERROOM EQUIPMENT, INC.

CHIEF HEATSPONGE

GENERAL ARRANGEMENT

(STANDARD MODELS)

DRAWN BY:	DATE COMPLETE:	DRAWING NUMBER:	REV:
AJH	1/1/08	D-HSC-CHIEF-GA	0
SCALE:	JOB NUMBER:		
NTS	STD		